

Heavy Duty Fast-Fold Deluxe

Parts List

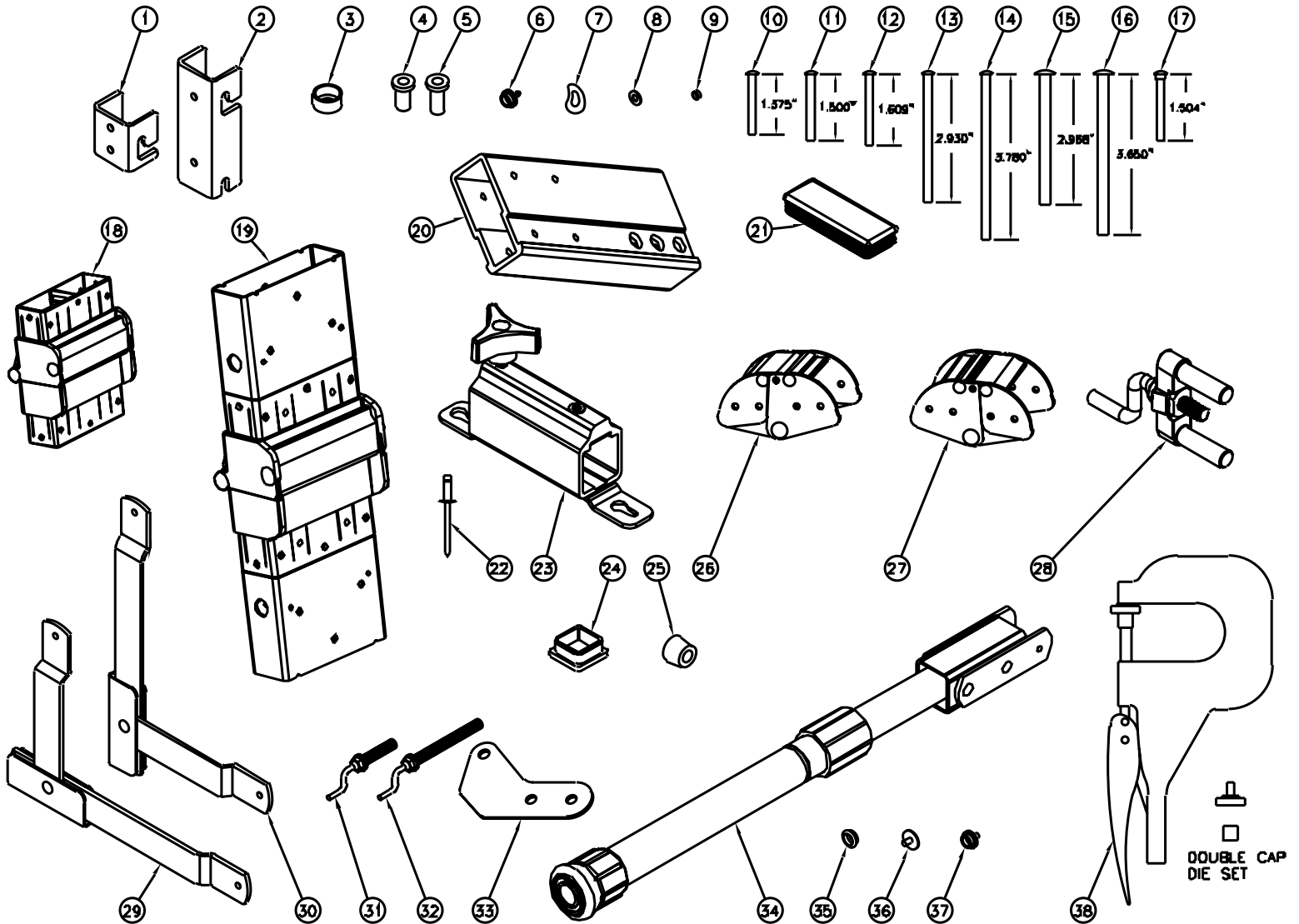


Diagram Number	Da-Lite Number	Description	Quantity Required	List Price Each
1	89179	Short hanger for wing arms	2	\$7.60
2	89178	Long hanger for valance bar, wing bar and skirt bar sliders	2	\$12.55
3	90982	Rivnut spacer - used between frame and leg assy.	8-20	\$0.64
4	78454	Rivnut, short steel 5/16 - 18 - used on leg assy.	4	\$2.15
5	47473	Rivnut, steel 5/16 - 18 long - used to screw speedy cranks to frames	varies	\$2.80
6	47441	Snap stud - mounts to frame to snap fabric onto frame	varies	\$0.59
7	44829	Washer, spring .563OD x .195ID x .008T - used on leg brace assembly and corner brace assembly	3	\$0.23
8	47351	Washer, flat .437OD x .203ID x .031T - used to attach foot to frame	2-6	\$0.23
9	93448	spacer - used as shoulder for #14 rivet	4	\$1.50
10	44830	Rivet, .187 x 1.375" long - used to mount hinge/latch assy. to frame	varies	\$0.26
11	88801	Rivet, .187 x 1.500" long - used to attach the foot to frame	2-6	\$0.70
12	88802	Rivet, .186 x 1.609" long - used to attach rubber foot and latches to leg assy.	8	\$0.39
13	91777	Rivet, .184 x 2.93" long - used to mount the latch assy. to leg assy.	12	\$0.90
14	33431	Rivet, .186 x 3.78" long - used to attach the skirt bar slider to the frame (used with #9)	4	\$1.35
15	91949	Rivet, .250 x 2.968 long - used to attach hinge/latch assy. to leg assy.	2-5	\$1.27
16	33143	Rivet, .250 x 3.650 long - used to attach blue latch on hinge/latch assy.	12	\$1.35
17	88901	Rivet, shoulder .238 x 1.504" long - mounts to frame to hook Dressup hardware	6	\$0.47
18	37317	Hinge/latch assy. casting - used on the frame	2-8	\$47.70
19	37318	Hinge/latch assy. extension casting - used on frame of 13' x 17' and over	6/8	\$67.60
20	35132	Corner connecting tube - used on the frame	4	\$23.95
21	33147	Plastic plug, 1.25" x 3.50"	4	\$0.78
22	48570	Pop rivet - used to mount hinge/latch assy. casting to the frame	4	\$0.32
23	---	Skirt bar slider for adjustable skirt bar only - No longer available, discontinued	2	---
24	88599	Plastic plug, 1.25" square	8	\$0.53
25	47353	Rubber foot - used on leg assy. and dress up kit hardware	6	\$0.47
26	99148	Left latch assy. - used on leg assy. Under 18FT	2-5	\$43.40
	99148-LG	Left latch assy. - used on leg assy. 18FT and over	2-5	\$43.40
27	99150	Right latch assy. - used on leg assy. Under 18FT	2-5	\$43.40
	99150-LG	Right latch assy. - used on leg assy. 18FT and over	2-5	\$43.40
28	94679	Corner lock assy. - used on frames	4	\$27.00
29	58659	Right corner brace assembly - used on leg assy.	2	\$14.90
30	58660	Left corner brace assembly - used on leg assy.	2	\$14.90
31	89196	Speedy crank, 2.96"	1	\$7.50
32	93488	Long speedy crank, 3.75"	varies	\$7.50
33	91029	Corner hinge plate - used on leg assy.	4	\$2.00
34	---	Skirt bar steadyrest assembly - No longer available, discontinued	1	---
35	47489	Light socket - used for all fabric snaps except corners	varies	\$0.37
	47490	Heavy socket - used for dress up kits and corners, black	varies	\$0.37
36	47491	Black cap - used on three sides of fabrics and dress up kits	varies	\$0.37
37	47492	Double cap - used at the bottom of all fabrics	varies	\$0.37
38	76781	Snap tool - used to replace both types of snaps	1	\$287.00